

MS-100A COLOR DOME CCD CAMERA

MS-100AD COLOR DOME DAY/NIGHT CCD CAMERA



### ■ Features

- 1/3 type 410k Pixels CCD
- TV System : NTSC
- Resolution : 540TV lines(Horizontal)
- Minimum Sensitivity : 0.3 lx ( MS-100A )  
0.2 lx ( MS-100AD B/W mode)
- Compact and Lightweight  $\phi$  123mm approx 310g
- Three axis turn mechanism
- Day Night mode ( MS-100AD )
- Auto White Balance
- Auto Gain Control
- Backlight Compensation
- Service Video Output
- Vari-focal DC Auto Iris Lens
- Power source : DC12V

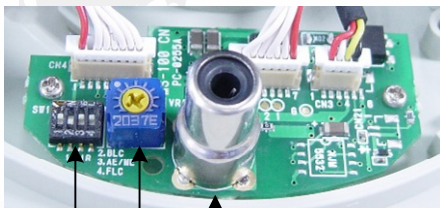
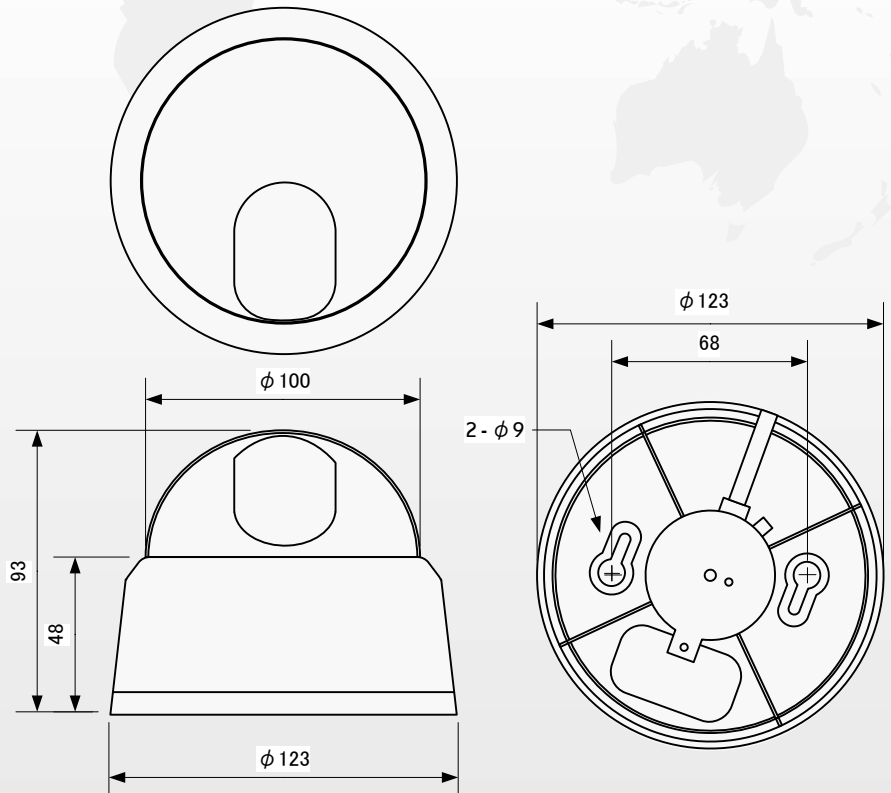
### ■ Accessories

- AC Adaptor

### Mode settings

SW No.	Function name	Function
1	NORM/MIR	OFF : Nomal image , ON: Mirror image
2	BLC	OFF: BLC OFF, ON: BLC ON
3	ALC	OFF : CCD IRIS ON , ON : FIX exposure time
4	FLC	OFF : FLC OFF , ON : FLC ON

### Mechanical Drawings



Service Video Output  
Iris trimmer  
DIP SW

Three axis turn mechanism



## Specifications

Function Items	Specifications
Model Name	MS-100A/MS-100AD
Signal System	NTSC
Image Sensor	1/3 type IT CCD
Effective picture elements	768(H) x 494(V)
Scanning system	2:1 interlaces
Horizontal resolution	540 TV lines
S/N ratio	48 dB
Minimum illumination	MS-100A 0.3 lx(F1.4), MS-100AD 0.2 lx(F1.4 monochrome mode)
Gamma correction	$\gamma = 0.45$
Video output	VBS:1.0V(p-p)/75 $\Omega$
AGC	ON(32dB MAX)
Lens	DC IRIS LENS
Sync system	Internal
Power requirements	DC12V $\pm$ 10%
Current consumption	Approx. 130mA
Operating temperature	-10 to +50°C
Operating humidity	20 to 80% (no condensation)
Dimensions	See mechanical drawings
Mass	Approx. 310g

## Lens lineup

Standard lens						
Lens type name	Focal length	F number	Horizontal	Vertical	Diagonal	Iris
MSA266B( $\phi$ 14)	2.6~6.0mm	1.4	99.8° ~48.1°	75.3° ~36.2°	123.2° ~59.9°	Auto iris(DC)
MSA2810B( $\phi$ 14)	2.8~10mm	1.2	28.6° ~101.8°	21.5° ~74.3°	25.8° ~132.1°	Auto iris(DC)
MSA490B( $\phi$ 14)	4.0~9.0mm	1.5	68.0° ~32.1°	50.2° ~24.1°	86.2° ~40.2°	Auto iris(DC)
MSA922B( $\phi$ 14)	9.0~22.0mm	1.8	30.7° ~12.7°	22.7° ~9.5°	39.0° ~15.8°	Auto iris(DC)

# MOSWELL CO.,LTD

1-11-12 HIRANUMA,NISHI-  
 KU,YOKOHAMA,KANAGAWA,  
 220-0023,JAPAN  
 TEL 045-290-7182  
 FAX 045-290-7151  
 e-mail:sales@moswell.co.jp

<http://www.moswell.co.jp>

Distributors