

MS-100AWD	WIDE DYNAMIC RANGE COLOR DOME CAMERA
MS-100AWDDN	WIDE DYNAMIC RANGE COLOR DAY NIGHT DOME CAMERA

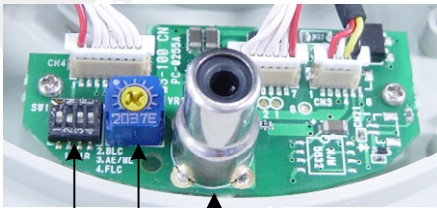


■ Outline

Moswell MS-100AWD utilizes Pixim's Digital Pixel System® (DPS) for enterprise security and embedded cameras based on 1/3 inch WDR (Wide Dynamic Range) sensor. The MS-100AWD provides dramatically higher dynamic range image than the charge-coupled devices (CCDs) or CMOS active pixel Sensors (APS) typically used in similar video camera applications. The enhanced imaging capabilities of DPS are based on a multi-sampling of image capture process. And analog-to-digital converter (ADC) is designed into each pixel, and is operated simultaneously with all other ADCs in every pixel of sensor.

■ Features

- Wide dynamic range of 120dB (maximum).
- 1/3 type , 540 TV Lines, Vertical 460 TM lines.
- Minimum illumination of 0.03 lux.
- The setting can be freely done with the OSD switch.
- Compact and Lightweight ϕ 123mm approx 310g
- VBS output.
- Three axis turn mechanism
- Day Night mode (MS-100AWDDN)
- PAL/NTSC(It switches by OSD).
- Auto White Balance
- Auto Gain Control
- Backlight Compensation
- Service Video Output
- Vari-focal DC Auto Iris Lens
- Power source : DC12V



Service Video Output
Iris trimmer
DIP SW

Three axis turn mechanism



■ general CCD camera picture



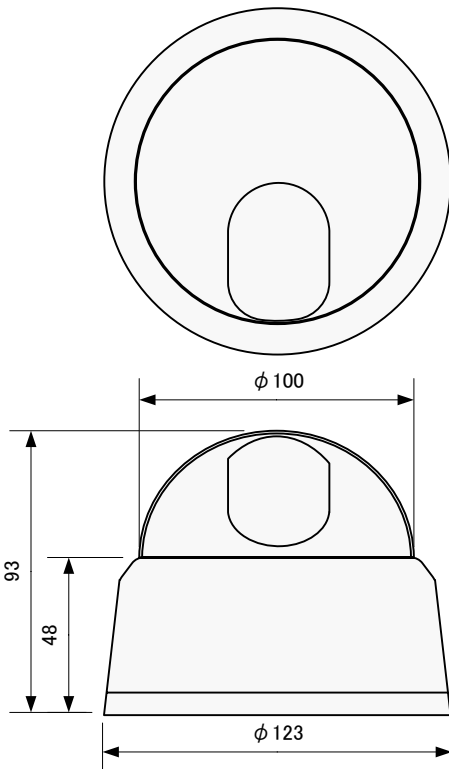
■ wide dynamic picture



Specifications

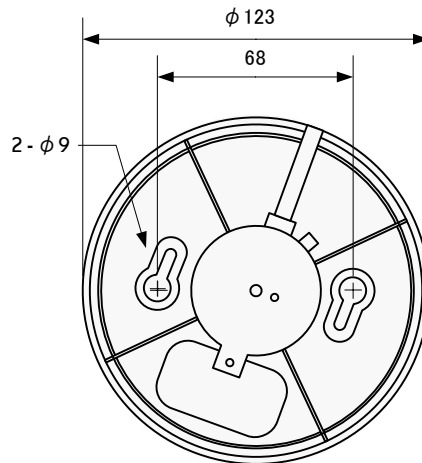
Function Items	Specifications
Model Name	MS-100AWD/MS-100AWDDN
Signal System	NTSC & PAL
Image Sensor	1/3" Digital Image sensor with RGB color filter
Effective picture elements	720(H)×540(V)
Scanning system	2:1 interlaces
Horizontal resolution	540 TV lines
S/N ratio	50dB(AGC OFF)
Minimum illumination	0.03lx(F1.4, AGC on, Slow shutter on)
Gamma correction	$\gamma = 0.45$
Video output	VBS:1.0V(p-p)/75Ω
AGC	ON(32dB MAX)
Lens	DC IRIS LENS
Sync system	Internal
Power requirements	DC12V±10%
Power consumption	2W
Operating temperature	-10 to +50°C
Operating humidity	20 to 80 % (no condensation)
Dimensions	See mechanical drawings
Mass	Approx. 310g

Mechanical Drawings



Lens lineup

Standard lens						
Lens type name	Focal length	F number	Horizontal	Vertical	Diagonal	Iris
MSA266B(φ14)	2.6~6.0mm	1.4	99.8° ~48.1°	75.3° ~36.2°	123.2° ~59.9°	Auto iris(DC)
MSA2810B(φ14)	2.8~10mm	1.2	28.6° ~101.8°	21.5° ~74.3°	25.8° ~132.1°	Auto iris(DC)
MSA490B(φ14)	4.0~9.0mm	1.5	68.0° ~32.1°	50.2° ~24.1°	86.2° ~40.2°	Auto iris(DC)
MSA922B(φ14)	9.0~22.0mm	1.8	30.7° ~12.7°	22.7° ~9.5°	39.2° ~15.8°	Auto iris(DC)



MOSWELL CO.,LTD

1-11-12 HIRANUMA, NISHI-KU, YOKOHAMA, KANAGAWA, 220-0023, JAPAN
 TEL 045-290-7182
 FAX 045-290-7151
 e-mail: sales@moswell.co.jp

<http://www.moswell.co.jp>

Distributors