

MS-110N8N 1/4 Type 270k Pixels High Sensitivity Color Dome Camera

MS-110N8H 1/4 Type 410k Pixels High Sensitivity Color Dome Camera



White

■ Features

- High Sensitivity 0.5lx(MS-110N8N)
0.9lx(MS-110N8H)
- 1/4 type 270k Pixels CCD (MS-110N8N)
- 1/4 type 410k Pixels CCD (MS-110N8H)
- TV System : NTSC
- Resolution : 350TV lines (Horizontal) MS-110N8N
540TV lines (Horizontal) MS-110N8H
- ϕ 80mm approx. 120g
- Three axis turn mechanism
- Auto White Balance
- Auto Gain Control
- Power source : DC12V

Specifications

Function Items	Specifications	
Model Name	MS-110N8N	MS-110N8H
Signal System	NTSC	
Image Sensor	1/4 type CCD	
Effective picture elements	510(H) × 492(V)	768(H) × 494(V)
Horizontal resolution	350TV line	540TV line
S/N ratio	48dB(AGC OFF)	
Minimum illumination	0.5lx(AGC ON)	0.9lx(AGC ON)
Video output	VBS:1.0V(p-p),75 Ω	
Sync system	Internal	
Lens	3mm(f2.0, 65(H),48(V))	
Power requirements	DC12V \pm 10%	
Current consumption	Approx.90mA	Approx.110mA
Dimensions	ϕ 80 × 90(W) × 70(H)mm	
Mass	Approx. 120g	
Operating temperature	-10°C ~ +50°C	
Operating humidity	20~80% (no condensation)	

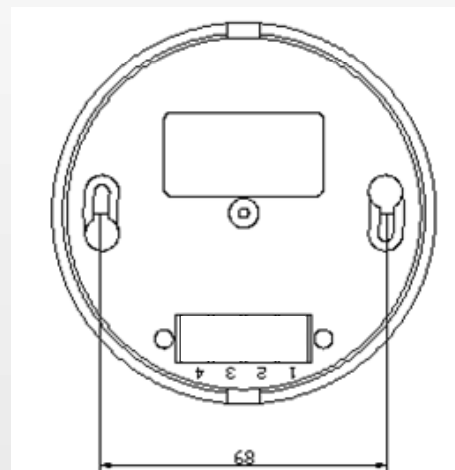
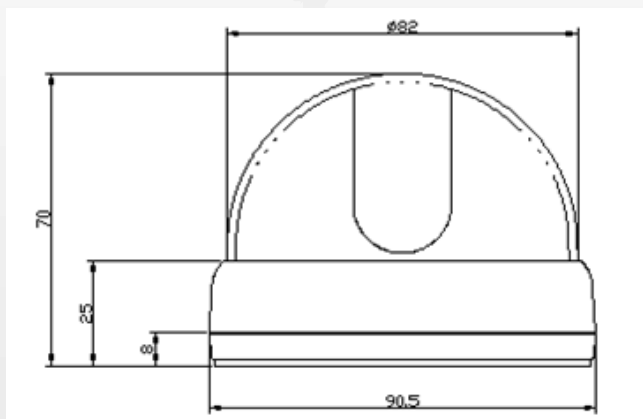


Black



Ivory

Mechanical Drawings



MOSWELL CO.,LTD

1-11-12 HIRANUMA, NISHI-KU, YOKOHAMA, KANAGAWA, 220-0023, JAPAN
 TEL 045-290-7182
 FAX 045-290-7151
 E-mail : sales@moswell.co.jp
 Http : //www.moswell.co.jp

Distributors