

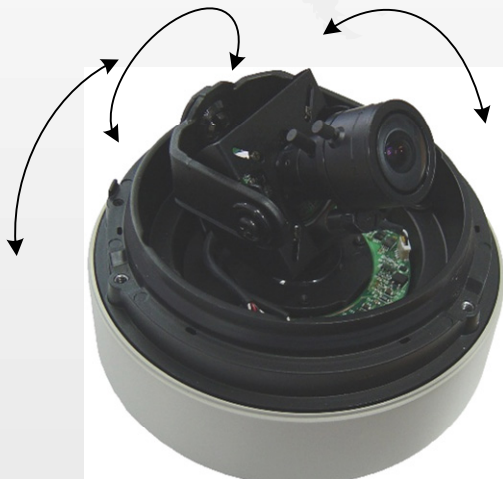
MS-120A VANDAL PROOF COLOR DOME CCD CAMERA

MS-120AD VANDAL PROOF COLOR DOME DAY/NIGHT CCD CAMERA



Service Video Output
DIP SW
Iris trimmer

Three axis turn mechanism



■ Features

- 1/3 type 410k Pixels CCD (NTSC model)
470k Pixels CCD (PAL model)
- TV System : NTSC / PAL
- Resolution : 540TV lines(Horizontal)
- Minimum Sensitivity : 0.3 lx (MS-120A)
0.2 lx (MS-120AD B/W mode)
- Vandal proof ϕ 144mm approx 980g
- Three axis turn mechanism
- Day Night mode (MS-120AD)
- Auto White Balance
- Auto Gain Control
- Backlight Compensation
- Service Video Output
- Vari-focal DC Auto Iris Lens
- Power source : DC12V

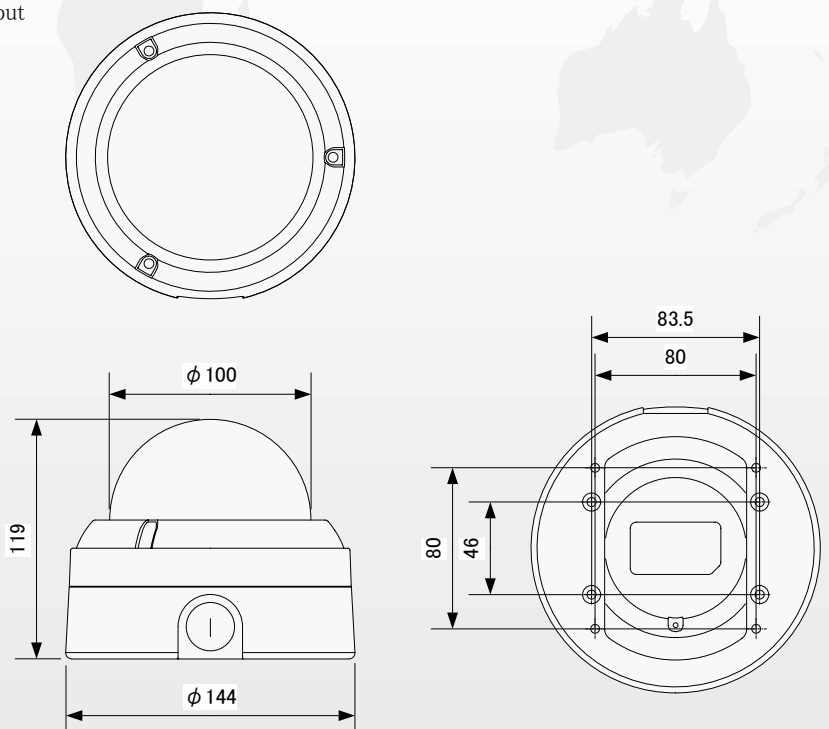
■ Accessories

- AC Adaptor

Mode settings

SW No.	Function name	Function
1	NORM/MIR	OFF : Nomal image , ON: Mirror image
2	BLC	OFF:BLC OFF,ON:BLC ON
3	ALC	OFF : CCD IRIS ON , ON : FIX exposure time
4	FLC	OFF : FLC OFF , ON : FLC ON

Mechanical Drawings



Specifications

Function Items	Specifications
Model Name	MS-120A/MS-120AD
Signal System	NTSC
Image Sensor	1/3 type IT CCD
Effective picture elements	768(H) x 494(V)
Scanning system	2:1 interlaces
Horizontal resolution	540 TV lines
S/N ratio	48 dB
Minimum illumination	MS-120A 0.3 lx(F1.4), MS-120AD 0.2 lx(F1.4 monochrome mode)
Gamma correction	$\gamma = 0.45$
Video output	VBS:1.0V(p-p)/75 Ω
AGC	OSD control(MIN, MEDIUM, MAX)
Lens	DC IRIS LENS
Sync system	Internal
Power requirements	DC12V \pm 10%
Current consumption	Approx. 130mA
Operating temperature	-10 to +50 $^{\circ}$ C
Operating humidity	20 to 80 % (no condensation)
Dimensions	See mechanical drawings
Mass	Approx. 980g

Lens lineup

Standard lens						
Lens type name	Focal length	F number	Horizontal	Vertical	Diagonal	Iris
MSA266B(ϕ 14)	2.6~6.0mm	1.4	99.8 $^{\circ}$ ~48.1 $^{\circ}$	75.3 $^{\circ}$ ~36.2 $^{\circ}$	123.2 $^{\circ}$ ~59.9 $^{\circ}$	Auto iris(DC)
MSA2810B(ϕ 14)	2.8~10mm	1.2	28.6 $^{\circ}$ ~101.8 $^{\circ}$	21.5 $^{\circ}$ ~74.3 $^{\circ}$	25.8 $^{\circ}$ ~132.1 $^{\circ}$	Auto iris(DC)
MSA490B(ϕ 14)	4.0~9.0mm	1.5	68.0 $^{\circ}$ ~32.1 $^{\circ}$	50.2 $^{\circ}$ ~24.1 $^{\circ}$	86.2 $^{\circ}$ ~40.2 $^{\circ}$	Auto iris(DC)
MSA922B(ϕ 14)	9.0~22.0mm	1.8	30.7 $^{\circ}$ ~12.7 $^{\circ}$	22.7 $^{\circ}$ ~9.5 $^{\circ}$	39.0 $^{\circ}$ ~15.8 $^{\circ}$	Auto iris(DC)

MOSWELL CO.,LTD

1-11-12 HIRANUMA,NISHI-
 KU,YOKOHAMA,KANAGAWA,
 220-0023,JAPAN
 TEL 045-290-7182
 FAX 045-290-7151
 e-mail:sales@moswell.co.jp

<http://www.moswell.co.jp>

Distributors