

MS-121A VANDAL PROOF COLOR DOME CCD CAMERA

MS-121AD VANDAL PROOF COLOR DOME DAY/NIGHT CCD CAMERA



### ■ Features

- 1/3 type 470k Pixels CCD
- TV System : PAL
- Resolution : 540TV lines(Horizontal)
- Minimum Sensitivity : 0.3 lx ( MS-121A )  
0.2 lx ( MS-121AD B/W mode)
- Vandal proof  $\phi$  144mm approx 980g
- Three axis turn mechanism
- Day Night mode ( MS-121AD )
- Auto White Balance
- Auto Gain Control
- Backlight Compensation
- Service Video Output
- Vari-focal DC Auto Iris Lens
- Power source : DC12V

### ■ Accessories

- AC Adaptor

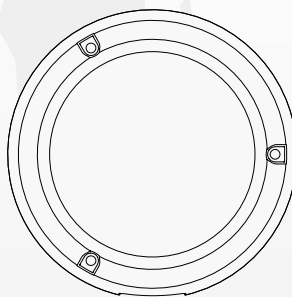
### Mode settings

SW No.	Function name	Function
1	NORM/MIR	OFF : Nomal image , ON: Mirror image
2	BLC	OFF:BLC OFF,ON:BLC ON
3	ALC	OFF : CCD IRIS ON , ON : FIX exposure time
4	FLC	OFF : FLC OFF , ON : FLC ON

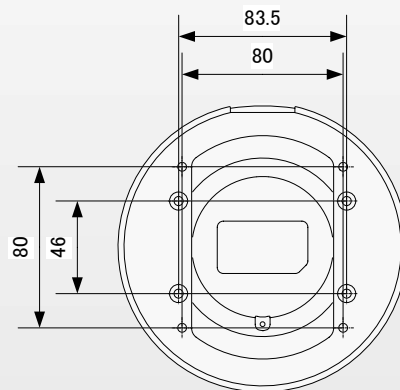
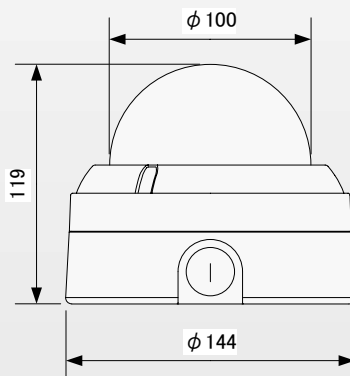
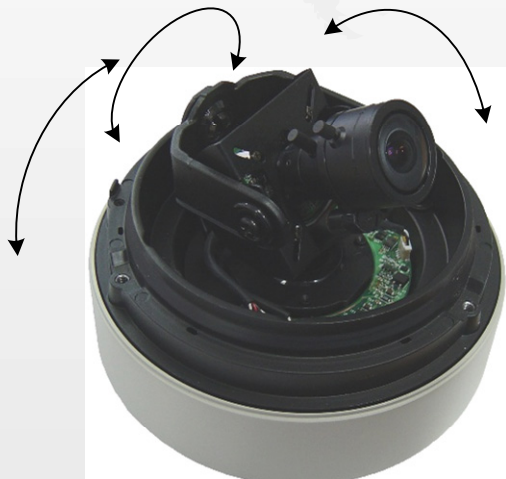


Service Video Output  
DIP SW  
Iris trimmer

### Mechanical Drawings



Three axis turn mechanism



## Specifications

Function Items	Specifications
Model Name	MS-121A/MS-121AD
Signal System	PAL
Image Sensor	1/3 type IT CCD
Effective picture elements	752(H) x 582(V)
Scanning system	2:1 interlaces
Horizontal resolution	More than 540 TV lines
S/N ratio	48 dB (AGC OFF)
Minimum illumination	MS-121A 0.3 lx(F1.4), MS-121AD 0.2 lx(F1.4 monochrome mode)
Gamma correction	$\gamma = 0.45$
Video output	VBS:1.0V(p-p)/75 $\Omega$
AGC	ON (32dB or less)
Lens	DC IRIS LENS
Sync system	Internal
Power requirements	DC12V $\pm$ 10%
Current consumption	Approx. 130mA
Operating temperature	-10 to +50 $^{\circ}$ C
Operating humidity	20 to 80 % (no condensation)
Dimensions	See mechanical drawings
Mass	Approx. 980g

## Lens lineup

Standard lens						
Lens type name	Focal length	F number	Horizontal	Vertical	Diagonal	Iris
MSA266B( $\phi$ 14)	2.6~6.0mm	1.4	99.8 $^{\circ}$ ~48.1 $^{\circ}$	75.3 $^{\circ}$ ~36.2 $^{\circ}$	123.2 $^{\circ}$ ~59.9 $^{\circ}$	Auto iris(DC)
MSA2810B( $\phi$ 14)	2.8~10mm	1.2	28.6 $^{\circ}$ ~101.8 $^{\circ}$	21.5 $^{\circ}$ ~74.3 $^{\circ}$	25.8 $^{\circ}$ ~132.1 $^{\circ}$	Auto iris(DC)
MSA490B( $\phi$ 14)	4.0~9.0mm	1.5	68.0 $^{\circ}$ ~32.1 $^{\circ}$	50.2 $^{\circ}$ ~24.1 $^{\circ}$	86.2 $^{\circ}$ ~40.2 $^{\circ}$	Auto iris(DC)
MSA922B( $\phi$ 14)	9.0~22.0mm	1.8	30.7 $^{\circ}$ ~12.7 $^{\circ}$	22.7 $^{\circ}$ ~9.5 $^{\circ}$	39.0 $^{\circ}$ ~15.8 $^{\circ}$	Auto iris(DC)

# MOSWELL CO.,LTD

1-11-12 HIRANUMA,NISHI-  
 KU,YOKOHAMA,KANAGAWA,  
 220-0023,JAPAN  
 TEL 045-290-7182  
 FAX 045-290-7151  
 e-mail:sales@moswell.co.jp

<http://www.moswell.co.jp>

Distributors