

### MS-130AD1 AC POWER TYPE, COLOR DOME DAY/NIGHT CCD CAMERA



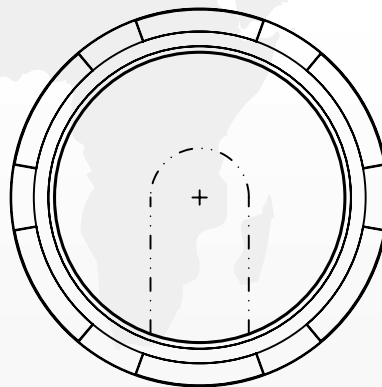
#### ■ Features

- 1/3 type 470k Pixels CCD
- TV System : PAL
- Resolution : 540TV lines(Horizontal)
- Minimum Sensitivity : 0.3 lx (day mode)  
0.1 lx (night mode)
- Compact and Lightweight  $\phi$  132mm approx. 350g
- Three axis turn mechanism
- Day Night mode
- Auto White Balance
- Auto Gain Control
- Backlight Compensation
- Vari-focal DC Auto Iris Lens
- Power source : AC100V ~ AC240V

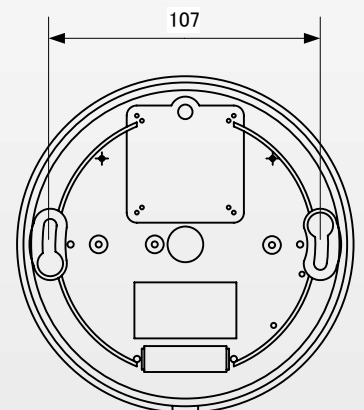
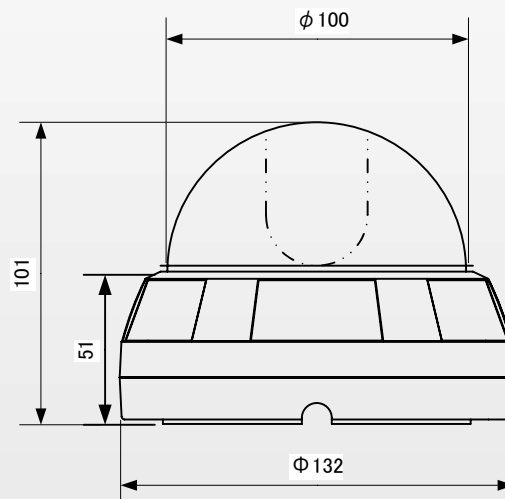
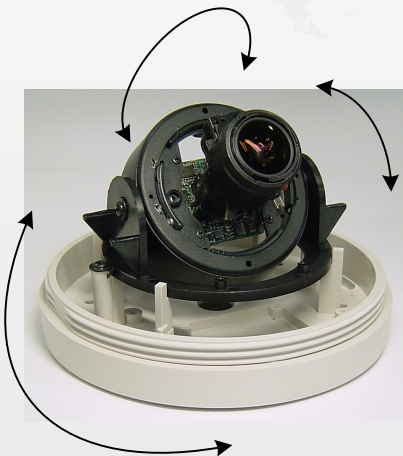
#### Mode settings

Pin No.	Signal Names	Function
1	CRLESS	OFF:color rolling correction off ON :color rolling correction on
2	D/N	OFF:Day/night control off ON :Day night control on
3	AGC	OFF:AGC off ON :ACG on
4	FLC	OFF:FLC off ON :FLC on
5	LL	OFF:on ON :off

#### Mechanical Drawings



Three axis turn mechanism



## Specifications

Function Items	Specifications
Model Name	MS-130AD1
Signal System	PAL
Image Sensor	1/3 type IT CCD
Effective picture elements	752(H) x 582(V)
Scanning system	2:1 interlaces
Horizontal resolution	540 TV lines
S/N ratio	48dB(AGC OFF)
Minimum illumination	Day mode:0.3 lx(F1.2) , night mode:0.1 lx(F1.2)
Gamma correction	0.45
Video output	VBS:1.0V(p-p)/75 Ω
AGC	ON(34dB MAX)
Lens	DC IRIS LENS
Sync system	Internal/linlock
Power requirements	AC100 ~ AC240V
Operating temperature	-10 to +50°C
Operating humidity	20 to 80 % (no condensation)
Dimensions	See mechanical drawings
Mass	Approx. 350g

## Lens lineup

Standard lens						
Lens type name	Focal length	F number	Horizontal	Vertical	Diagonal	Iris
MSA266B(φ 14)	2.6~6.0mm	1.4	99.8° ~48.1°	75.3° ~36.2°	123.2° ~59.9°	Auto iris(DC)
MSA2810B(φ 14)	2.8~10mm	1.2	28.6° ~101.8°	21.5° ~74.3°	25.8° ~132.1°	Auto iris(DC)
MSA490B(φ 14)	4.0~9.0mm	1.5	68.0° ~32.1°	50.2° ~24.1°	86.2° ~40.2°	Auto iris(DC)
MSA922B(φ 14)	9.0~22.0mm	1.8	30.7° ~12.7°	22.7° ~9.5°	39.0° ~15.8°	Auto iris(DC)

# MOSWELL CO.,LTD

1-11-12 HIRANUMA,NISHI-  
 KU,YOKOHAMA,KANAGAWA,  
 220-0023,JAPAN  
 TEL 045-290-7182  
 FAX 045-290-7151  
 e-mail:sales@moswell.co.jp

<http://www.moswell.co.jp>

Distributors

\*Moswell reserves the right to change products and specifications without prior notice