

MS-260E High - Sensitivity COLOR CCD CAMERA



■ Features

- 1/3 type 410k Pixels CCD
- TV System : NTSC
- Resolution : 540TV lines(Horizontal)
- Minimum Sensitivity : 0.3 lx
- Compact and Lightweight : 42x42x51.5mm approx 150g
- Auto Iris Connector
- Mirror Reversing
- Auto White Balance
- Auto Gain Control
- Backlight Compensation
- CS mount
- Power source : DC12V

■ Accessories

- AC Adapter
- CS-mount LENS
- C-mount adapter

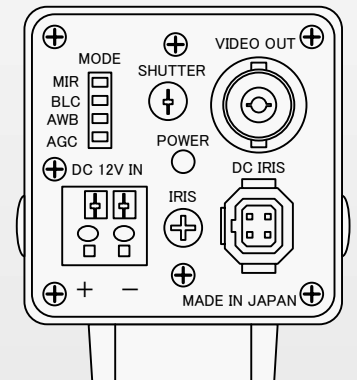
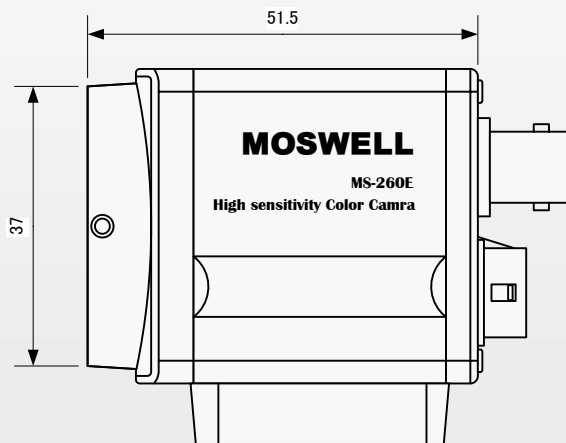
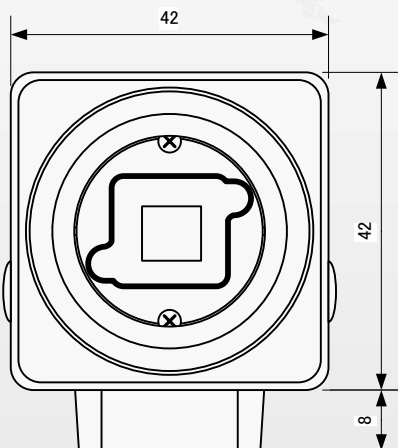
Mode settings

SW No.	Function name	Function
1	NORM/MIR	OFF : Nomal image , ON: Mirror image
2	BLC	Backlight compensation OFF/ON
3	AWB	OFF : Auto white balance ON , ON : AWB Lock
4	AGC	ON/OFF

Auto iris connector

Auto iris connector (D4-158N-100)	
Pin No.	Signal Names
1	DRIVE-
2	DRIVE+
3	DUMP-
4	DUMP+

Mechanical Drawings



Specifications

Function Items	Specifications
Model Name	MS-260E
Signal System	NTSC
Image Sensor	1/3 type IT CCD
Effective picture elements	768(H) x 494(V)
Scanning system	2:1 interlaces
Horizontal resolution	More than 540 TV lines
S/N ratio	48 dB (AGC OFF)
Minimum illumination	0.3 lx (F1.4)
Gamma correction	$\gamma = 0.45$
Video output	VBS:1.0V(p-p)/75 Ω
AGC	ON(36dB MAX)
Electronic iris	1/50~1/100,000
Electronic shutter	1/60, 1/100, 1/200, 1/500, 1/1000, 1/2000, 1/5000, 1/10000, 1/20000, 1/50000, 1/100000
Auto IRIS	DC IRIS LENS drive
Sync system	Internal
Lens mount	CS-mount
Power requirements	DC12V \pm 10%
Current consumption	Approx . 140mA
Operating temperature	-10 to +50°C
Operating humidity	20 to 80 % (no condensation)
Dimintions	42(W) x 42(H) x 51.5(D) mm
Mass	Approx. 150g

MOSWELL CO.,LTD

1-11-12 HIRANUMA,NISHI-
 KU,YOKOHAMA,KANAGAWA,
 220-0023,JAPAN
 TEL 045-290-7182
 FAX 045-290-7151
 e-mail:sales@moswell.co.jp

<http://www.moswell.co.jp>

Distributors

* Moswell reserves the right to change products and specifications without prior notice