

### MS-260F COLOR CCD CAMERA



#### ■ Features

- 1/3 type 410k Pixels CCD
- TV System : NTSC
- Resolution : 520TV lines(Horizontal)
- Minimum Sensitivity : 0.9 lx
- Compact and Lightweight : 42x42x51.5mm approx 150g
- Auto Iris Connector
- Mirror Reversing
- Auto White Balance
- Auto Gain Control
- Backlight Compensation
- CS mount
- Power source : DC12V
- VBS,Y/C OUTPUT

#### ■ Accessories

- AC Adapter
- CS-mount LENS
- C-mount adapter

#### Mode settings

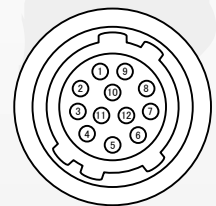
SW No.	Function name	Function
1	NORM/MIR	OFF : Nomal image , ON: Mirror image
2	BLC	Backlight compensation OFF/ON
3	ALC	OFF : CCD IRIS ON , ON : FIX exposure time
4	AWB	OFF : Auto white balance ON , ON : AWB Lock

#### Auto iris connector

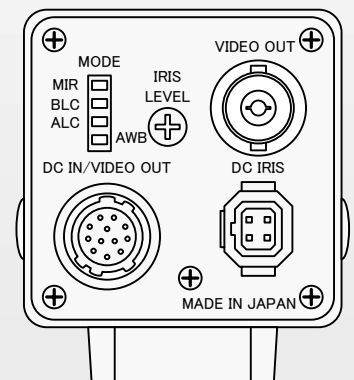
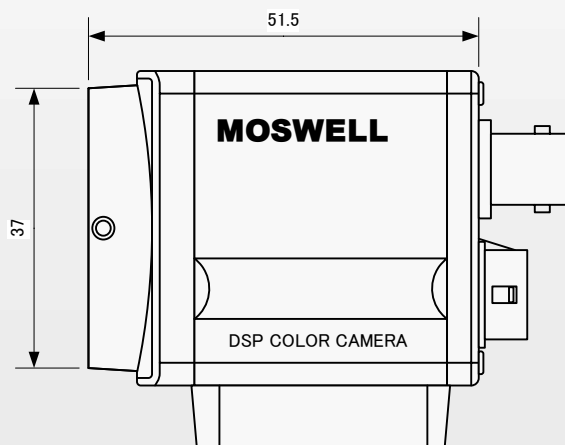
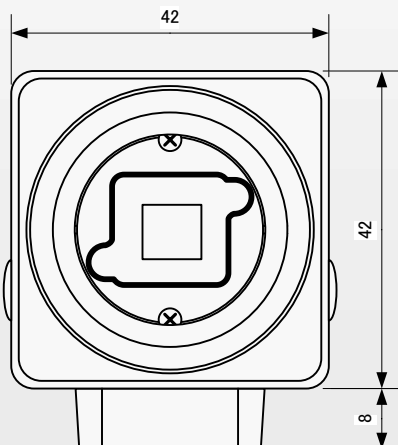
Auto iris connector (D4-158N-100)	
Pin No.	Signal Names
1	DUMP-
2	DUMP+
3	DRIVE+
4	DRIVE-

#### DC IN/VIDEO out connector

12Pin connector (HR10A-10P-12S)	
Pin No.	Signal Names
1	GND
2	+12V
3	VIDEO OUT
4	VIDEO GND
5	GND
6	NC
7	NC
8	Y OUT
9	Y GND
10	C OUT
11	NC
12	GND



#### Mechanical Drawings



## Specifications

Function Items	Specifications
Model Name	MS-260F
Signal System	NTSC
Image Sensor	1/3 type IT CCD
Effective picture elements	768(H) x 494(V)
Scanning system	2:1 interlaces
Horizontal resolution	520 TV lines
S/N ratio	48 dB
Minimum illumination	0.9 lx (F1.4)
Gamma correction	$\gamma = 0.45$
Video output	VBS : 1.0V <sub>p-p</sub> /75Ω Y/C : VS 1.0V <sub>p-p</sub> /75Ω , C 0.286V <sub>p-p</sub> /75Ω
AGC	ON(32dB MAX)
Electronic iris	1/60~1/100,000
Auto IRIS	DC IRIS LENS drive
Sync system	Internal
Lens mount	CS-mount
Power requirements	DC12V±10%
Current consumption	Approx. 150mA
Operating temperature	-10 to +50°C
Operating humidity	20 to 80 % (no condensation)
Dimensions	42(W) x 42(H) x 51.5(D) mm
Mass	Approx. 150g

# MOSWELL CO.,LTD

1-11-12 HIRANUMA,NISHI-KU,  
YOKOHAMA,KANAGAWA,  
220-0023,JAPAN  
TEL 045-290-7182  
FAX 045-290-7151  
e-mail:sales@moswell.co.jp

<http://www.moswell.co.jp>

Distributors