

MS-260WD Wide dynamic range color camera



■ Outline

Moswell MS-260WD utilizes Pixim's Digital Pixel System® (DPS) for enterprise security and embedded cameras based on 1/3 inch WDR (Wide Dynamic Range) sensor. The MS-260WD provides dramatically higher dynamic range image than the charge-coupled devices (CCDs) or CMOS active pixel Sensors (APS) typically used in similar video camera applications. The enhanced imaging capabilities of DPS are based on a multi-sampling of image capture process. And analog-to-digital converter (ADC) is designed into each pixel, and is operated simultaneously with all other ADCs in every pixel of sensor.

■ Features

- Wide dynamic range of 120dB (maximum).
- 1/3 type, 540 TV Lines, Vertical 460 TM lines.
- Minimum illumination of 0.03 lux.
- The setting can be freely done with the OSD switch.
- Size of 42 (W) × 42 (H) × 51.5 (D) mm.
- VBS, Y/C output.
- PAL/NTSC (It switches by OSD).
- Wide power supply input from 5 to 12V.
- CS mount.

Auto iris connector

| Auto iris connector (D4-158N-100) | |
|-----------------------------------|--------------|
| Pin No. | Signal Names |
| 1 | DUMP- |
| 2 | DUMP+ |
| 3 | DRIVE+ |
| 4 | DRIVE- |

■ general CCD camera picture



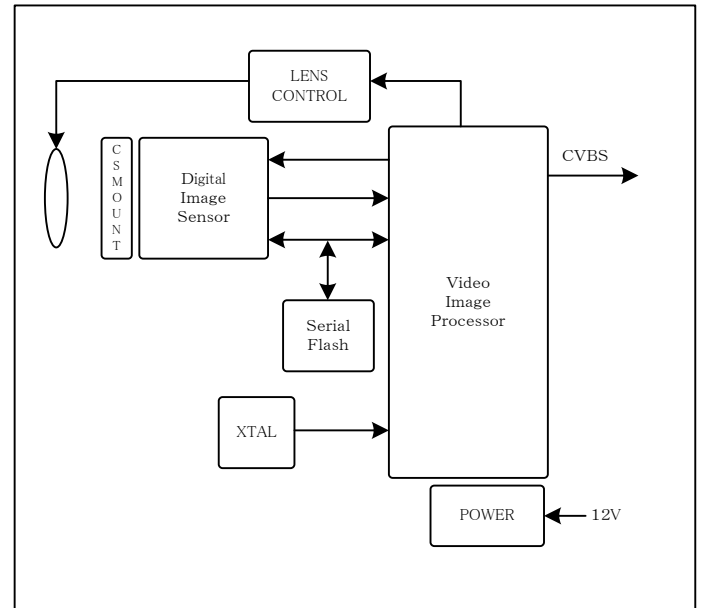
■ wide dynamic picture



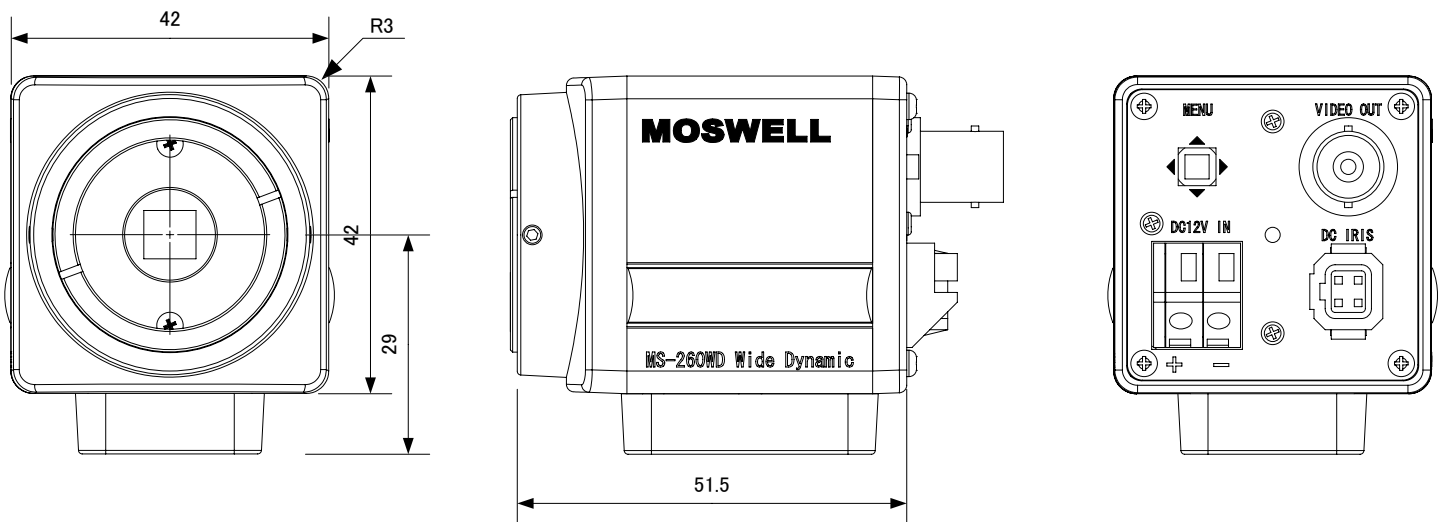
Specification

| Function Items | Specifications |
|---------------------------|---|
| Model Name | MS-260WD |
| Formats | NTSC & PAL |
| Image Sensor | 1/3" Digital Image sensor with RGB color filter |
| Effective Picture element | 720(H)×540(V) |
| Horizontal Resolution | 540TV Lines |
| S/N Ratio | >48dB(AGC OFF) |
| Minimum Illumination | 0.03lx(F1.4, AGC on, Slow shutter on) |
| Video Out | VBS : 1.0Vp-p, 75Ω |
| Lens Mount | CS |
| Power Supply Voltage | DC5~12V(±10%) |
| Power consumption | 2W |
| Dimensions | 42(W)×42(H)×51.5(D)mm |
| Weight | 150g |
| Operating Temperature | -10°C~+50°C |
| Operating humidity | 20~80% |

Camera block diagram



Mechanical Drawings



MOSWELL CO.,LTD

1-11-12 HIRANUMA, NISHI-KU, YOKOHAMA, KANAGAWA, 220-0023, JAPAN
 TEL 045-290-7182
 FAX 045-290-7151
 e-mail: sales@moswell.co.jp

<http://www.moswell.co.jp>

Distributors