

MS-261F COLOR CCD CAMERA



■ Features

- 1/3 type 470k Pixels CCD
- TV System : PAL
- Resolution : 520TV lines(Horizontal)
- Minimum Sensitivity : 0.9 lx
- Compact and Lightweight : 42x42x51.5mm approx 150g
- Auto Iris Connector
- Mirror Reversing
- Auto White Balance
- Auto Gain Control
- Backlight Compensation
- CS mount
- Power source : DC12V
- VBS,Y/C OUTPUT

■ Accessories

- AC Adapter
- CS-mount LENS
- C-mount adapter

Mode settings

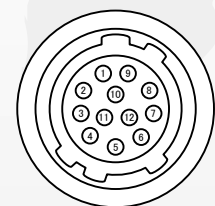
SW No.	Function name	Function
1	NORM/MIR	OFF : Nomal image , ON: Mirror image
2	BLC	Backlight compensation OFF/ON
3	ALC	OFF : CCD IRIS ON , ON : FIX exposure time
4	AWB	OFF : Auto white balance ON , ON : AWB Lock

Auto iris connector

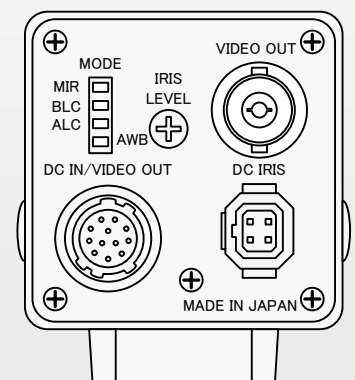
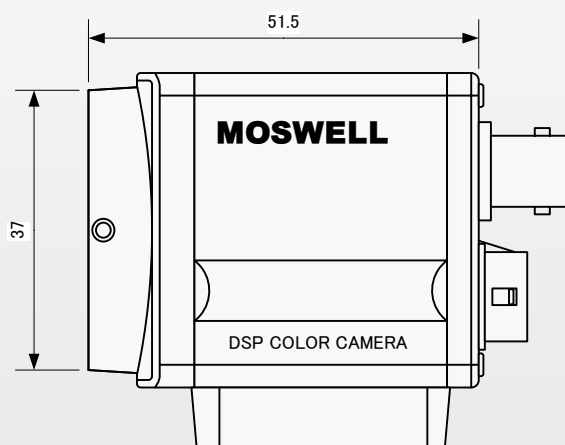
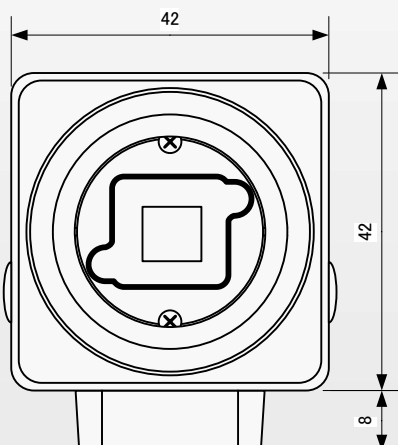
Auto iris connector (D4-158N-100)	
Pin No.	Signal Names
1	DUMP-
2	DUMP+
3	DRIVE+
4	DRIVE-

DC IN/VIDEO out connector

12Pin connector (HR10A-10P-12S)	
Pin No.	Signal Names
1	GND
2	+12V
3	VIDEO OUT
4	VIDEO GND
5	GND
6	NC
7	NC
8	Y OUT
9	Y GND
10	C OUT
11	NC
12	GND



Mechanical Drawings



Specifications

Function Items	Specifications
Model Name	MS-261F
Signal System	PAL
Image Sensor	1/3 type IT CCD
Effective picture elements	752(H) x 582(V)
Scanning system	2:1 interlaces
Horizontal resolution	More than 520 TV lines
S/N ratio	48 dB (AGC OFF)
Minimum illumination	0.9 lx (F1.4)
Gamma correction	$\gamma = 0.45$
Video output	VBS : 1.0p-p/75 Ω Y/C : VS 1.0Vp-P/75 Ω , C 0.286Vp-p/75 Ω
AGC	ON(32dB MAX)
Electronic iris	1/50~1/100,000
Auto IRIS	DC IRIS LENS drive
Sync system	Internal
Lens mount	CS-mount
Power requirements	DC12V \pm 10%
Current consumption	Approx . 150mA
Operating temperature	-10 to +50 $^{\circ}$ C
Operating humidity	20 to 80 % (no condensation)
Dimensions	42(W) x 42(H) x 51.5(D) mm
Mass	Approx. 150g

MOSWELL CO.,LTD

1-11-12 HIRANUMA,NISHI-
 KU,YOKOHAMA,KANAGAWA,
 220-0023,JAPAN
 TEL 045-290-7182
 FAX 045-290-7151
 e-mail:sales@moswell.co.jp

<http://www.moswell.co.jp>

Distributors