

MS-280WDDN Day&Night Wide dynamic range color camera



■ Outline

Moswell MS-280WDDN utilizes Pixim's Digital Pixel System® (DPS) for enterprise security and embedded cameras based on 1/3 inch WDR (Wide Dynamic Range) sensor. The MS-280WDDN provides dramatically higher dynamic range image than the charge-coupled devices (CCDs) or CMOS active pixel Sensors (APS) typically used in similar video camera applications. The enhanced imaging capabilities of DPS are based on a multi-sampling of image capture process. And analog-to-digital converter (ADC) is designed into each pixel, and is operated simultaneously with all other ADCs in every pixel of sensor.

■ Features

- Wide dynamic range of 120dB (maximum).
- 1/3 type, 540 TV Lines, Vertical 460 TM lines.
- Minimum illumination of 0.01 lux.
- The setting can be freely done with the OSD switch.
- Size of 42 (W) × 42 (H) × 86.5 (D) mm.
- VBS, Y/C output.
- PAL/NTSC (It switches by OSD).
- Wide power supply input from 6 to 12V.
- CS mount.

■ general CCD camera picture



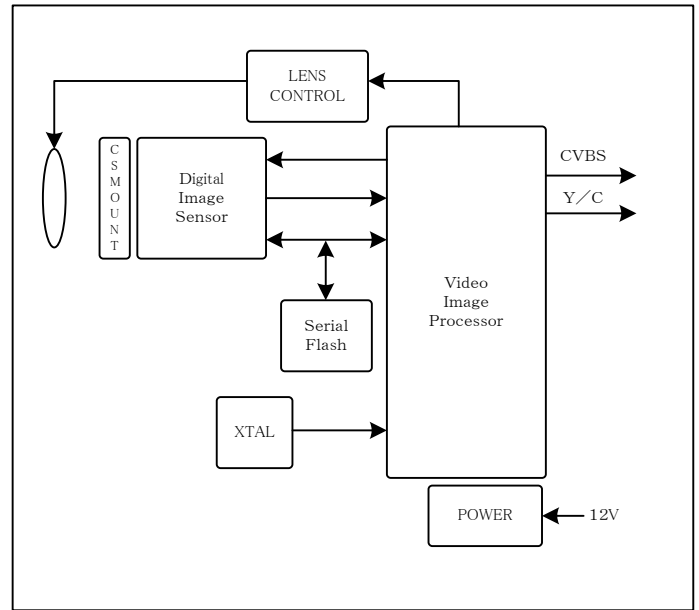
■ wide dynamic picture



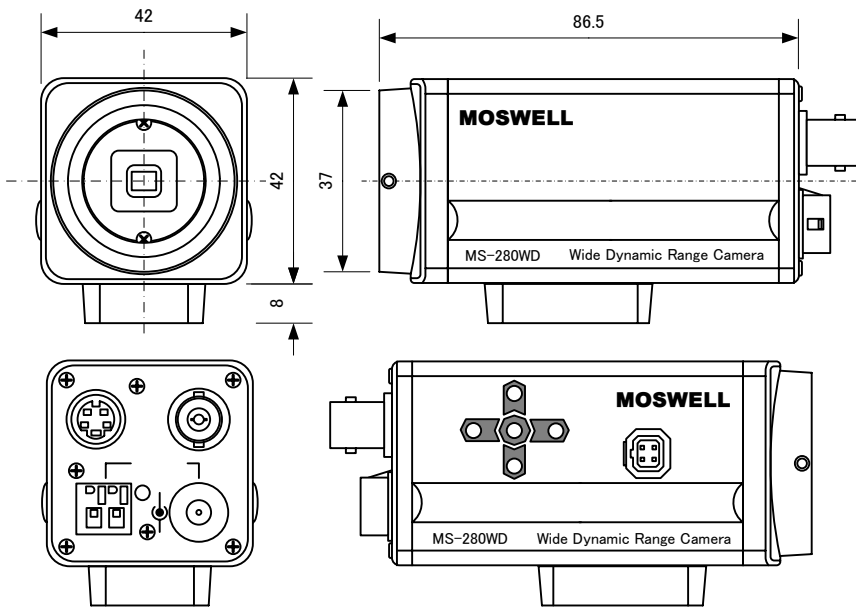
Specification

Function Items	Specifications
Model Name	MS-280WDDN
Formats	NTSC & PAL
Image Sensor	1/3" Digital Image sensor with RGB color filter
Effective Picture element	720(H)×540(V)
Horizontal Resolution	540TV Lines
S/N Ratio	>48dB(AGC OFF)
Minimum Illumination	0.01lx(F1.4, AGC on, Slow shutter on)
Video Out	VBS : 1.0V _{p-p} , 75 Ω VS : 1.0V _{p-p} , 75 Ω C : 0.286V _{p-p} , 75 Ω
Lens Mount	CS
Power Supply Voltage	DC6~12V(±10%)
Power consumption	2W
Dimensions	42(W)×42(H)×86.5(D)mm
Weight	210g
Operating Temperature	-10°C~+50°C
Operating humidity	20~80%

Camera block diagram



Mechanical Drawings



Auto iris connector

Auto iris connector (D4-158N-100)	
Pin No.	Signal Names
1	DUMP-
2	DUMP+
3	DRIVE+
4	DRIVE-

MOSWELL CO.,LTD

1-11-12 HIRANUMA, NISHI-KU, YOKOHAMA, KANAGAWA, 220-0023, JAPAN
 TEL 045-290-7182
 FAX 045-290-7151
 e-mail: sales@moswell.co.jp

<http://www.moswell.co.jp>

Distributors