

MS-51 1/4 type 320k pixels color board camera

MS-56 1/4 type 470k pixels color board camera



■ Outline

MS-51/MS-56, 1/4 type CCD adopting color board camera. 22x26mm, about 20g, small type, can be installed in the different machinery. Small type of short focus board lens, it is possible to be selected depends on the needs.

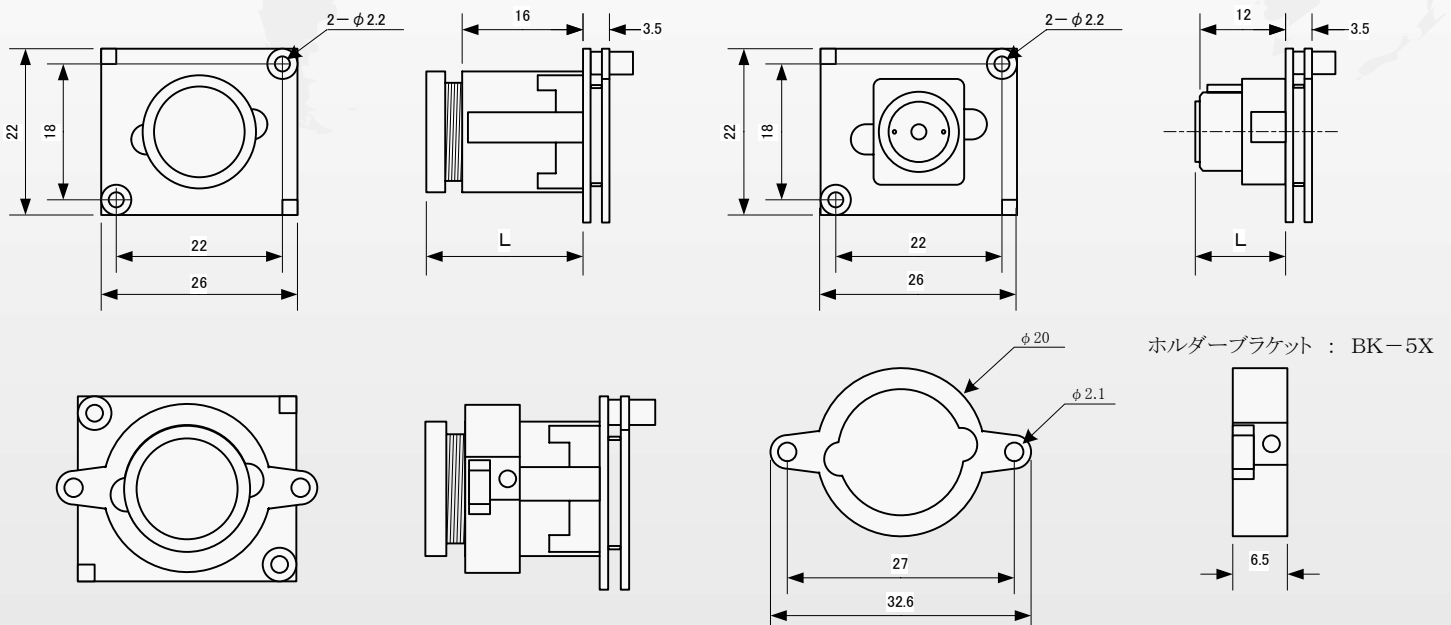
■ Futures

- 1/4 type 320k Pixels CCD (MS-51)
470k Pixels CCD (MS-56)
- TV System : PAL
- Minimum Sensitivity : 0.8 lx (MS-51)
1.5 lx (MS-56)
- Compact and Lightweight 22x26mm approx 20g
- Video Output : VBS
- Mirror Reversing (Option)
- Auto White Balance
- Auto Gain Control
- Backlight Compensation
- Board Camera Lens
- Power source : DC5V

Connector Outputs

I/O Connector BM06B-SRSS-TB	
Pin No.	Signal names
1	+5V
2	GND
3	VIDEO OUT
4	VIDEO GND
5	DATA I/O (SCL)
6	DATA I/O (SCL)

Mechanical Drawings



Specifications

Function Items	Specification	
Model Name	MS-51	MS-56
Signal System	PAL	
Image Sensor	1/4 type IT CCD	
Effective picture elements	500(H) x 582(V)	752(H) x 582(V)
Horizontal Resolution	330 TV Lines	480 TV Lines
S/N Ratio	48dB (AGC OFF)	
Minimum illumination	0.8 lx (F1.4)	1.5 lx (F1.4)
Video output	VBS:1.0V(p-p)/75Ω	
Sync system	Internal	
Lens mount	M8 / M12 / Non mount	
Power requirements	DC5V +/- 10%	
Current consumption	Approx.160mA	Approx. 190mA
Dimensions	22(W) x 26(H) mm	
Mass	Approx. 20g	
Operating temperature	-10 to +50°C	
Operating humidity	20 to 80% (no condensation)	

LENS lineup

Standard LENS						
Model name	Focal length	F No.	Horizontal	Vertical	Diagonal	L
MB47(M8)	3.7mm	2.0	47°	35°	58°	12.6
MB65(M8)	2.8mm	2.0	65°	44°	78°	11.5
MD15(M12)	12mm	2.2	15°	11°	17°	20.5
MD23(M12)	8mm	2.0	23°	18°	26°	22.6
MD33(M12)	6mm	1.8	33°	24°	39°	24.9
MD45(M12)	4.3mm	2.0	45°	34°	58°	24.1
MD55(M12)	3.6mm	2.0	55°	42°	67°	21.6
MD65(M12)	3mm	2.0	65°	48°	83°	22.7
MD74(M12)	2.5mm	2.0	74°	56°	91°	24.6
MD91(M12)	2.1mm	2.0	91°	67°	111°	26.3
MY104(M12)	1.9mm	2.0	104°	77°	129°	21.0

Accessories

Harness : HN-0615N (150mm)



MOSWELL CO.,LTD

1-11-12 HIRANUMA, NISHI-KU, YOKOHAMA, KANAGAWA, 220-0023, JAPAN
 TEL 045-290-7182
 FAX 045-290-7151
 e-mail: sales@moswell.co.jp

<http://www.moswell.co.jp>

Distributors