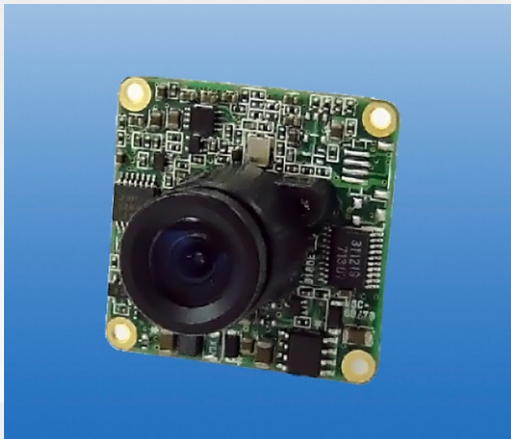


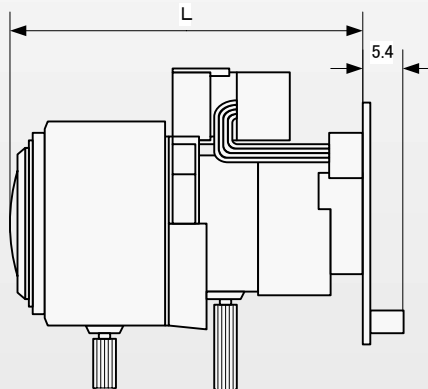
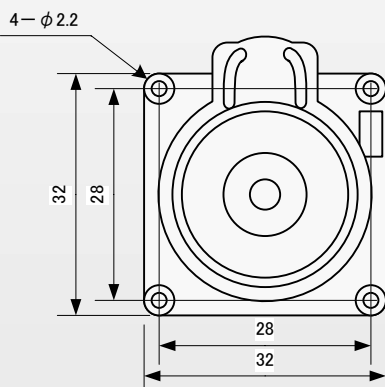
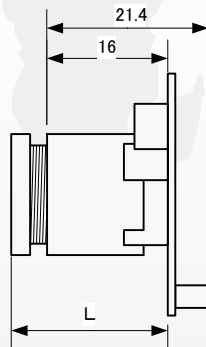
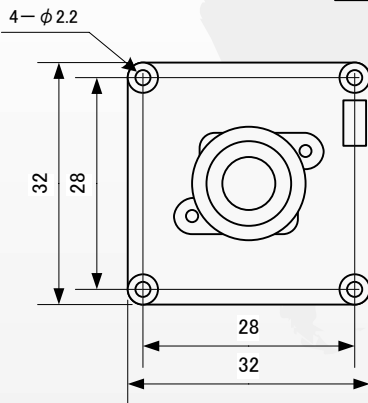
MS-61 1/4 type 320k pixels color board camera
 MS-71 1/4 type 470k pixels color board camera



■ Futures

- 1/4 type 320k Pixels CCD (MS-61)
470k Pixels CCD (MS-71)
- TV System : PAL
- Minimum Sensitivity : 0.8 lx (MS-61)
1.5 lx (MS-71)
- Compact and Lightweight 32x32mm approx 20g
- Video Output : VBS , Y/C (Option)
- Mirror Reversing (Option)
- Auto White Balance
- Auto Gain Control
- Backlight Compensation (Option)
- Board Camera Lens / Vari-focal Lens
- Power source : DC12V

Mechanical Drawings



Connector Outputs

I/O Connector BM07B-SRSS-TB		
Pin No.	Signal names	
	Standard	Y/C output (option)
1	VIDEO GND	Y/C GND
2	VIDEO OUT	Y OUT
3	GND	C OUT
4	DATA I/O (SDA)	
5	DATA I/O (SCL)	
6	+12V	
7	GND	

Auto iris connector

Auto iris connector BM04B-SRSS-TB	
Pin No.	Signal name
1	DRIVE-
2	DRIVE+
3	DUMP-
4	DUMP+

Specifications

Function Items	Specification	
Model Name	MS-61	MS-71
Signal System	PAL	
Image Sensor	1/4 type IT CCD	
Effective picture elements	500(H) x 582(V)	752(H) x 582(V)
Horizontal Resolution	330 TV Lines	480 TV Lines
S/N Ratio	48dB (AGC OFF)	
Minimum illumination	0.8 lx (F1.4)	1.5 lx (F1.4)
Video output	VBS:1.0V(p-p)/75 Ω Y/C(Optional) VS:1.0V(p-p)/75 Ω Chroma 0.286V(p-p)/75 Ω	
Sync system	Internal	
Lens mount	Vari-focal Lens / M12 / Non mount	
Power requirements	DC12V +/- 10%	
Current consumption	Approx. 90mA	Approx. 110mA
Dimensions	32(W) x 32(H)mm	
Mass	Approx. 20g (M12 type)	
Operating temperature	-10 to +50°C	
Operating humidity	20 to 80% (no condensation)	

LENS lineup

Standard LENS						
Model name	Focal length	F No.	Horizontal	Vertical	Diagonal	Iris
MD15(M12)	12mm	2. 2	20°	15°	24°	固定
MD23(M12)	8mm	2. 0	30°	24°	36°	固定
MD33(M12)	6mm	1. 8	53°	32°	53°	固定
MD45(M12)	4. 3mm	2. 0	62°	49°	76°	固定
MD55(M12)	3. 6mm	2. 0	75°	55°	93°	固定
MSA266B(φ 14)	2. 6~6. 0mm	1. 4	99. 8° ~48. 1°	75. 3° ~36. 2°	123. 2° ~59. 9°	オートアイリス
MSA490B(φ 14)	4. 0~9. 0mm	1. 5	68. 0° ~32. 1°	50. 2° ~24. 1°	86. 2° ~40. 2°	オートアイリス
MSA922B(φ 14)	9. 0~22. 0mm	1. 8	30. 7° ~12. 7°	22. 7° ~9. 5°	39. 0° ~15. 8°	オートアイリス
MT308A-200(CS) MT308AIR-200(CS)	3. 0~8. 0mm	F1. 0~CLOSE	91. 0° ~35. 9°	66. 6° ~26. 9°	112. 7° ~44. 8°	オートアイリス
MT550A-200(CS)	5. 0~50. 0mm	F1. 4~CLOSE	53. 6° ~5. 5°	40. 2° ~4. 2°	67. 0° ~6. 8°	オートアイリス
MT308M-200(CS)	3. 0~8. 0mm	F1. 0~CLOSE	91. 0° ~35. 9°	66. 6° ~26. 9°	112. 7° ~44. 8°	マニュアル
MT550M-200(CS)	5. 0~50. 0mm	F1. 4~CLOSE	53. 6° ~5. 5°	40. 2° ~4. 2°	67. 0° ~6. 8°	マニュアル
MT25HB-200(C)	12mm	F1. 8~16	22. 4°	16. 6°	27. 8°	マニュアル
MT17HF-200(C)	16mm	F1. 6~16	16. 9°	12. 7°	21. 1°	マニュアル
MT20HC-200(C)	25mm	F1. 6~16	11. 0°	8. 2°	13. 7°	マニュアル
MT35HB-200(C)	35mm	F2. 1~22	7. 8°	5. 9°	9. 7°	マニュアル

Accessories

Harness : HN-0715N (150mm)



MOSWELL CO.,LTD

1-11-12 HIRANUMA,NISHI-
KU,YOKOHAMA,KANAGAWA,
220-0023,JAPAN
TEL 045-290-7182
FAX 045-290-7151
e-mail:sales@moswell.co.jp

<http://www.moswell.co.jp>

Distributors