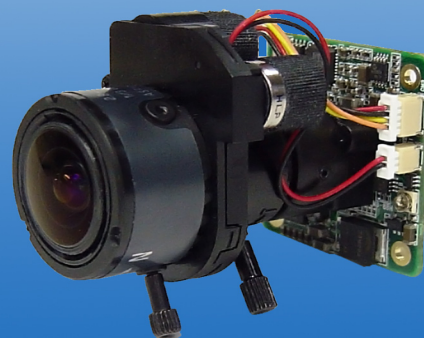
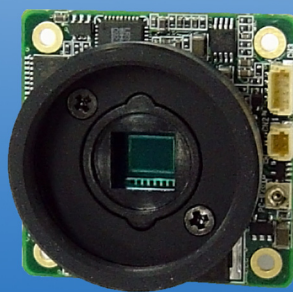
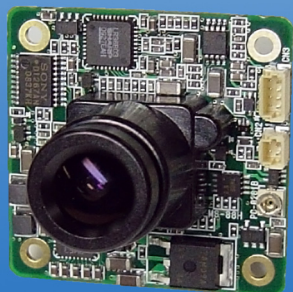


MS-89H 1/3 type 470k pixels high sensitivity color board camera



■ Features

- 1/3 type : 470k Pixels CCD
- TV System : PAL
- Minimum Sensitivity : 0.3 lx
- Compact and Lightweight : 35x35mm approx 20g
- Video Output : VBS
- Day & night (CS, $\phi 14$)
- Mirror Reversing
- Auto White Balance
- Auto Gain Control
- Backlight Compensation
- Board Camera Lens / CS Mount / Vari-focal Lens
- Power source : DC12V
- Day/night mode (Factory setting)

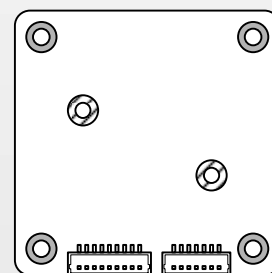
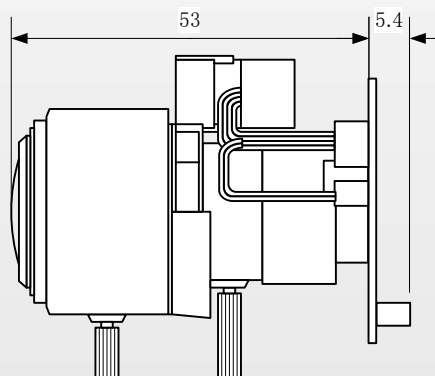
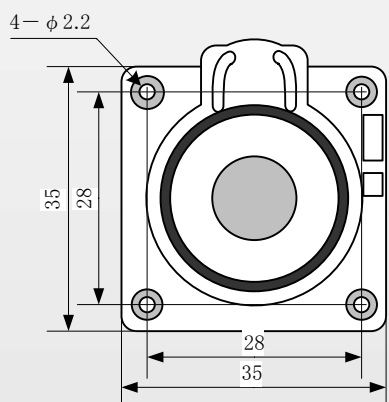
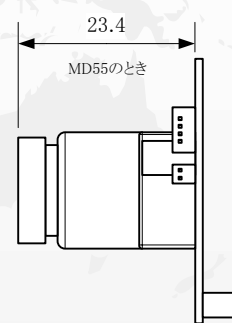
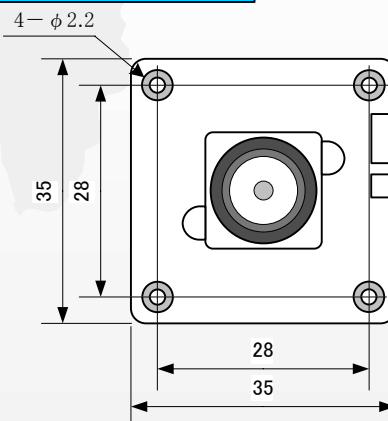
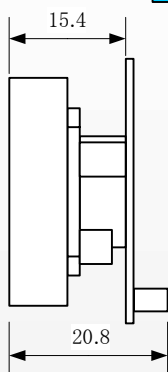
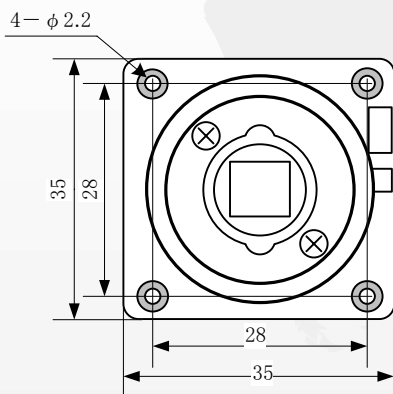
Auto iris connector

Auto iris connector BM04B-SRSS-TB	
Pin No.	Signal name
1	DRIVE-
2	DRIVE+
3	DUMP-
4	DUMP+

Connector Outputs

I/O Connector(BM07B-SRSS-TB)	
Pin No.	Signal Names
1	VIDEO GND
2	VIDEO OUT
3	GND
4	SDA
5	SCL
6	DC IN(+12V)
7	GND

Mechanical Drawings



SW settings

Sw No.	Signal name	Function
1	MIR	ON : Mirror , OFF : Normal
2	BLC	ON : BLC , OFF : Normal
3	AWB	ON : Auto , OFF : Fix
4	AGC	ON : Auto , OFF : Fix
5	SHUTTER0	Shutter setting 0
6	SHUTTER1	Shutter setting 1
7	SHUTTER2	Shutter setting 2
8	SHUTTER3	Shutter setting 3

Shutter speed setting				
SHUTTER3	SHUTTER2	SHUTTER1	SHUTTER0	Shutter speed
OFF	OFF	OFF	OFF	1/60
OFF	OFF	OFF	ON	1/100
OFF	OFF	ON	OFF	1/200
OFF	OFF	ON	ON	1/500
OFF	ON	OFF	OFF	1/1,000
OFF	ON	OFF	ON	1/2,000
OFF	ON	ON	OFF	1/5,000
OFF	ON	ON	ON	1/10,000
ON	OFF	OFF	OFF	1/20,000
ON	OFF	OFF	ON	1/50,000
ON	OFF	ON	OFF	1/100,000
ON	OFF	ON	ON	1/30
ON	ON	OFF	OFF	1/12.5
ON	ON	OFF	ON	1/6.25
ON	ON	ON	OFF	-
ON	ON	ON	ON	Electronic iris

Specifications

Function Items	Specification
Model Name	MS-89H
Signal System	PAL
Image Sensor	1/3 type IT CCD
Effective picture elements	752(H) x 582(V)
Horizontal Resolution	540 TV Lines
S/N Ratio	48dB (AGC OFF)
Minimum illumination	0.3 lx (F1.4)
Video output	VBS:1.0V(p-p)/75Ω
Auto iris	DC iris lens drive
Sync system	Internal
Lens mount	Vari-focal Lens / M12 / CS mount / Non mount
Power requirements	DC12V
Current consumption	Approx. 110mA (DC12V)
Dimensions	35(W)×35(H)mm
Mass	Approx. 20g (M12 type)
Operating temperature	-15 to +60°C
Operating humidity	20 to 80% (no condensation)

Accessories

Harness : HN-0715N (150mm)



LENS lineup

Standard LENS						
Model name	Focal length	F No.	Horizontal	Vertical	Diagnal	Iris
MD15(M12)	12mm	2. 2	20°	15°	24°	固定
MD23(M12)	8mm	2. 0	30°	24°	36°	固定
MD33(M12)	6mm	1. 8	53°	32°	53°	固定
MD45(M12)	4. 3mm	2. 0	62°	49°	76°	固定
MD55(M12)	3. 6mm	2. 0	75°	55°	93°	固定
MSA266B(φ 14)	2. 6~6. 0mm	1. 4	99. 8° ~48. 1°	75. 3° ~36. 2°	123. 2° ~59. 9°	オートアイリス
MSA490B(φ 14)	4. 0~9. 0mm	1. 5	68. 0° ~32. 1°	50. 2° ~24. 1°	86. 2° ~40. 2°	オートアイリス
MSA922B(φ 14)	9. 0~22. 0mm	1. 8	30. 7° ~12. 7°	22. 7° ~9. 5°	39. 0° ~15. 8°	オートアイリス

MOSWELL CO.,LTD

1-11-12 HIRANUMA,NISHI-KU,YOKOHAMA,KANAGAWA,
220-0023,JAPAN
TEL 045-290-7182
FAX 045-290-7151
e-mail:sales@moswell.co.jp

<http://www.moswell.co.jp>

Distributors

* Moswell reserves the right to change products and specifications without prior notice