

MS-90WD Wide dynamic range color camera

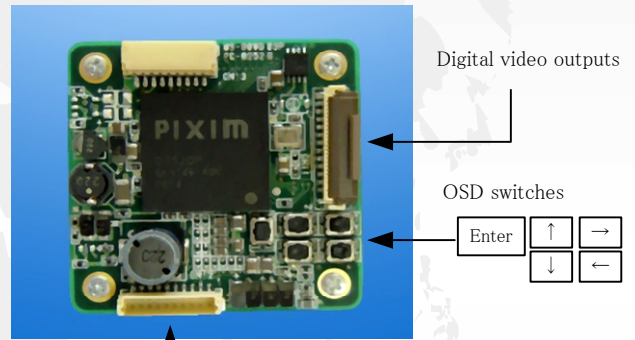


■ Outline

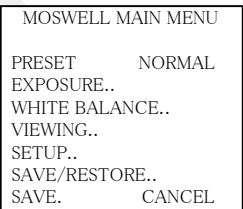
MOSWELL MS-90WD utilizes Pixim's Digital Pixel System® (DPS) for enterprise security and embedded/ board cameras based on 1/3 inch WDR (Wide Dynamic Range) sensor. The MS-90WD provides dramatically higher dynamic range image than the charge-coupled devices (CCDs) or CMOS active pixel sensors (APS) typically used in similar video camera applications. The enhanced imaging capabilities of DPS are based on a multi-sampling of image capture process. And analog-to-digital converter (ADC) is designed into each pixel, and is operated simultaneously with all other ADCs in every pixel of sensor.

■ Features

- Wide dynamic range of 120dB (maximum).
- 1/3 type , 540 TV Lines, Vertical 460 TM lines.
- Minimum illumination of 0.03 lux.
- The setting can be freely done with the osd switch.
- Size of 35mm(H)×35mm (V).
- VBS,Y/C output.
- Digital output(ITU656/SMPTE125,10Bit).
- USB Output optional (one PCB added).
- PAL/NTSC(It switches by OSD).
- Wide power supply input from 5 to 12V.
- AC24V optional (one PCB added).
- CS mount , M12 board type lens,AI lens.



Power supply input/Analog video output connector



OSD menu

■ General CCD camera picture(ATM)



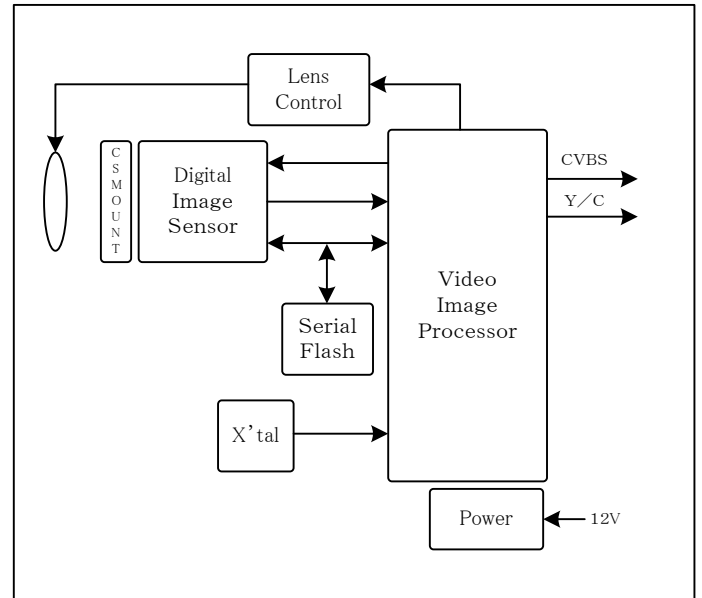
■ Wide dynamic picture(ATM)



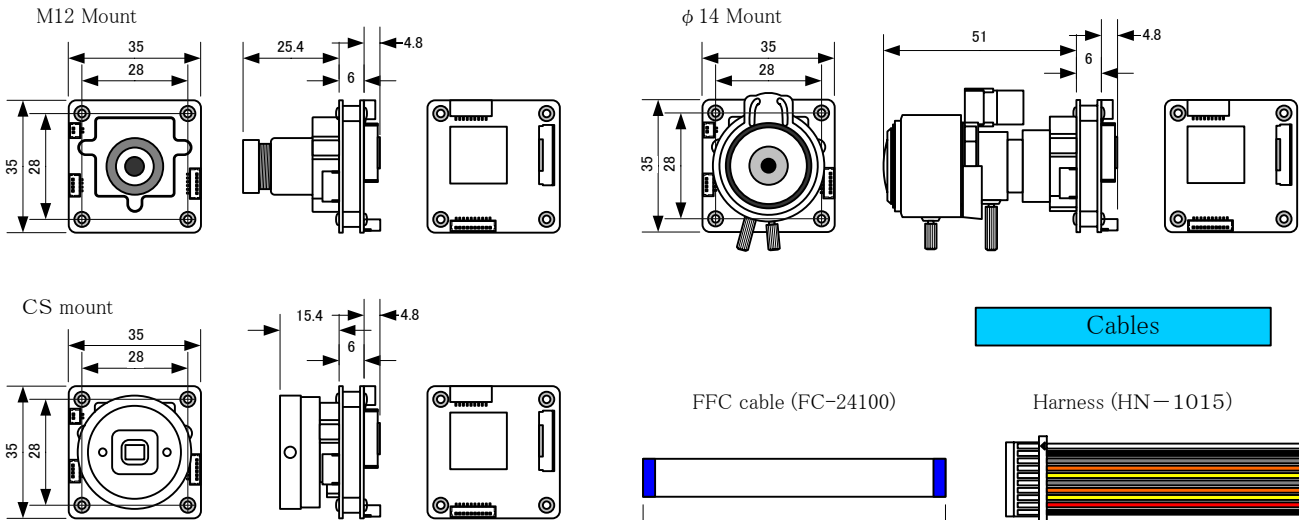
Specifications

Function Items	Specifications
Model Name	MS-90WD
Formats	NTSC & PAL
Image Sensor	1/3" Digital Image sensor with RGB color filter
Effective Picture element	720(H)×540(V)
Horizontal Resolution	540TV Lines
Vertical Resolution	460TM Lines
S/N Ratio	>48dB(AGC OFF)
Minimum Illumination	0.03lx(F1.4, AGC on, Slow shutter on)
Video Output	VBS : 1.0Vp-p, 75 Ω VS : 1.0Vp-p, 75 Ω C : 0.286Vp-p, 75 Ω
Digital Video Output	ITU656/SMPTE125,10Bit
USB Output	optional (one PCB added)
Lens Mount	CS, M12, φ14
Power Supply Voltage	DC5~12V(±10%), AC24V optional (one PCB added)
Power consumption	2W
Weight	30g
Operating Temperature	-10℃~+50℃
Operating humidity	20~80%

Camera block diagram

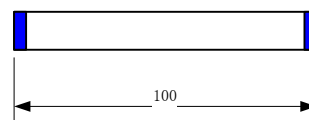


Mechanical Drawings

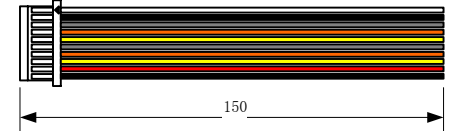


Cables

FFC cable (FC-24100)



Harness (HN-1015)



Connector Outputs

24Pin Connector (PH12-24S-0.5SV-(55))			
Pin No.	Signal Names	Pin No.	Signal Names
1	GND	13	DVDAT4
2	ENTER SW	14	DVDAT3
3	LEFT SW	15	DVDAT2
4	UP SW	16	DVDAT1
5	DOWN SW	17	DVDAT0
6	RIGHT SW	18	VD OUT
7	DVCLK	19	HD OUT
8	DVDAT9	20	DUMP+
9	DVDAT8	21	DUMP-
10	DVDAT7	22	DRIVE;
11	DVDAT6	23	NC
12	DVDAT5	24	GND

10Pin Connector (BM10B-SRSS-TB)	
Pin No.	Signal Names
1	VIDEO OUT
2	VIDEO GND
3	Y OUT
4	Y/C GND
5	C OUT
6	TXD(オプション)
7	RXD(オプション)
8	LINELOCK
9	5~12V IN
10	GND IN

Auto Iris Connector (BM04B-SRSS-TB)	
Pin No.	Signal Names
1	DUMP+
2	DUMP-
3	DRIVE+
4	DRIVE-

Day Night Connector (BM02B-SRSS-TB)	
Pin No.	Signal Names
1	OUT1
2	OUT2

MOSWELL CO.,LTD

1-11-12 HIRANUMA,NISHI-KU,
YOKOHAMA,KANAGAWA,
220-0023,JAPAN
TEL 045-290-7182
FAX 045-290-7151
e-mail:sales@moswell.co.jp

<http://www.moswell.co.jp>

Distributors