

MS-95KR/LR 1/3 Type XGA Progressive Scan CCD Board Camera



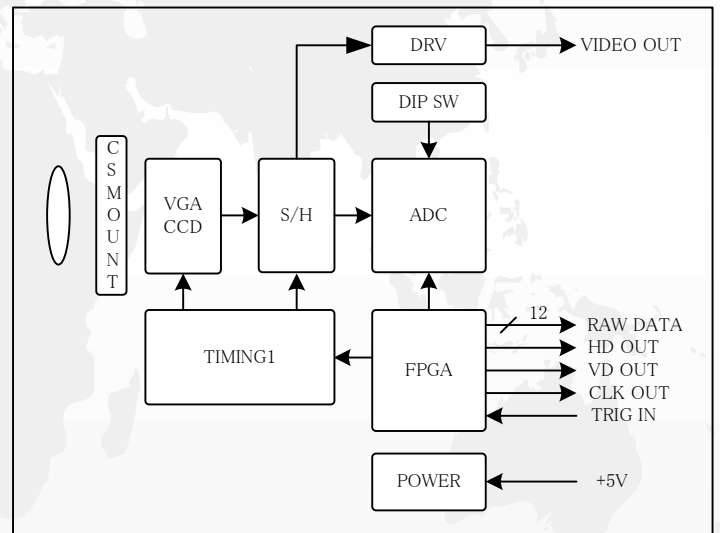
Future

- 1/3 type 800k Pixels CCD
- B/W model :MS-95LR / Color model :MS-95KR
- Frame Rate : 24fps / 15fps
- Video Output : V/HD/VD (Separate SYNC), Digital(12bit)
- External Trigger Shutter
- CS Mount
- Power source : DC5V

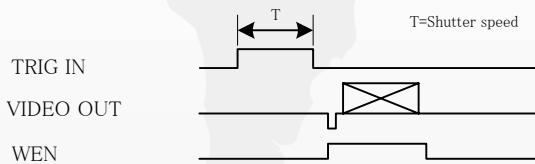
Accessories

- Harness (Digital video out)
- Harness (DC IN / Analog video out)
- CS mount lens
- C mount adaptor

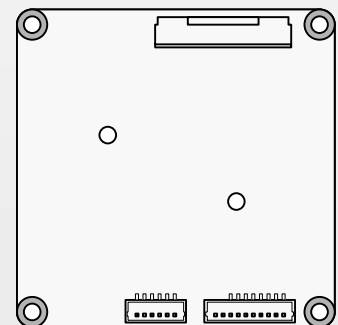
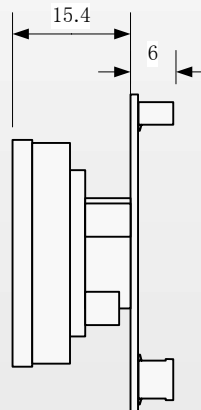
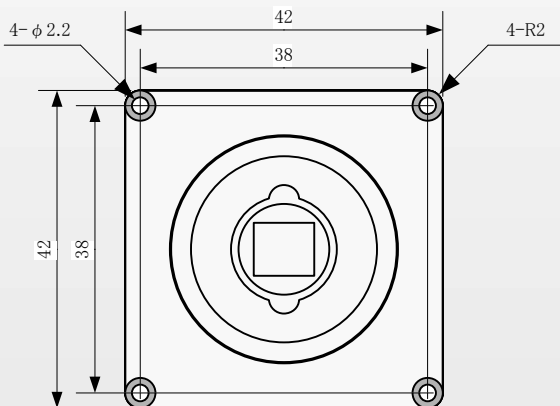
Block Diagram



Trigger timing



Mechanical Drawings



Specifications

Function names	Specification	
Model name	MS-95KR	MS-95LR
Image sensor	Progressive scan 1/3 type color CCD	Progressive scan 1/3 type B/W CCD
Effective picture elements	1024(H) x 768(V)	
Scanning area	4.8(H) x 3.6(V)	
Scan method	Progressive scan	
Sync system	Internal / External	
External sync signal	HD , VD TTL Level	
Analog video out	V:1.0V(p-p)/75Ω , HD/VD : TTL level	
Digital video out	RAW12bit (TTL Parallel)	
Shutter mode	Electronic shutter , External trigger shutter	
Electronic shutter	1/100 , 1/250 , 1/500 , 1/1,000 , 1/2,000 , 1/4,000 , 1/10,000sec (Under 30 Frame / sec mode)	
Gamma	1 , 0.6 , 0.45	
Gain	0 to 32 dB	
AGC	ON/OFF	
S/N Ratio	50dB	
Minimum illumination	5 lx (MS-95LR,F1.4 , Electronic Shutter 1/30sec)	
Lens mount	CS mount	
Frame rate	15 Frame / sec , 30 Frame / sec	
Power requirements	DC5V +/-10%	
Power consumption	Approx. 2W	
Mass	Approx. 30g	
Operating temperature	-10 to 50°C	
Operating humidity	20 to 80% (no condensation)	

Connector Outputs

30 pin connector (FH12-30S-0.5V)					
Pin No.	I/O	Signal	Pin No.	I/O	Signal
1	O	GND	16	O	VDO
2	O	RAW11	17	-	GND
3	O	RAW10	18	O	CKO
4	O	RAW9	19	-	GND
5	O	RAW8	20	O	WENOUT
6	O	RAW7	21	O	EXOUT0
7	O	RAW6	22	-	GND
8	O	RAW5	23	I	HDI
9	O	RAW4	24	I	VDI
10	O	RAW3	25	I	CKI
11	O	RAW2	26	-	GND
12	O	RAW1	27	I	TRIG IN
13	O	RAW0	28	I	EXIN0
14	-	GND	29	O	IRIS
15	O	HDO	30	-	GND

10 pin connector (BM10B-SRSS-TB)		
Pin No.	I/O	Signal
1	I	+5V
2	I	GND
3	O	HDO
4	O	VDO
5	I	WEN OUT
6	I	HDI
7	O	VDI
8	O	TRIG IN
9	O	VIDEO GND
10	O	VIDEO OUT

Mode settings

Dip SW		
SW	Function name	Function
1	DUB/NOR	ON : 30 Frame/sec , OFF : 15 Frame/sec
2	GAMMA	Gamma ON / OFF
3	GAMMA SEL	ON: Gamma=0.45 , OFF : Gamma=0.6
4	AGC	Auto gain control ON/OFF
5	AGC CONTROL	ON : AGC 5 to 32 dB , OFF : 18 to 32 dB
6	SHUTTER MODE2	OFF2 OFF1:shutter value、OFF2 OFF1:Nothing
7	SHUTTER MODE1	ON2 OFF1:Nothing、ON2 ON1 : Trigger mode 1
8	SHUTTER3	Shutter speed setting 3
9	SHUTTER2	Shutter speed setting 2
10	SHUTTER1	Shutter speed setting 1

Shutter speed setting (Under 30 Frame/sec mode)			
SHUTTER3	SHUTTER2	SHUTTER1	Shutter speed (sec)
OFF	OFF	OFF	1/30
OFF	OFF	ON	1/100
OFF	ON	OFF	1/250
OFF	ON	ON	1/500
ON	OFF	OFF	1/1000
ON	OFF	ON	1/2000
ON	ON	OFF	1/4000
ON	ON	ON	1/10000

MOSWELL CO.,LTD

1-11-12 HIRANUMA,NISHI-
KU,YOKOHAMA,KANAGAWA,
220-0023,JAPAN
TEL 045-290-7182
FAX 045-290-7151
e-mail:sales@moswell.co.jp

<http://www.moswell.co.jp>

Distributors